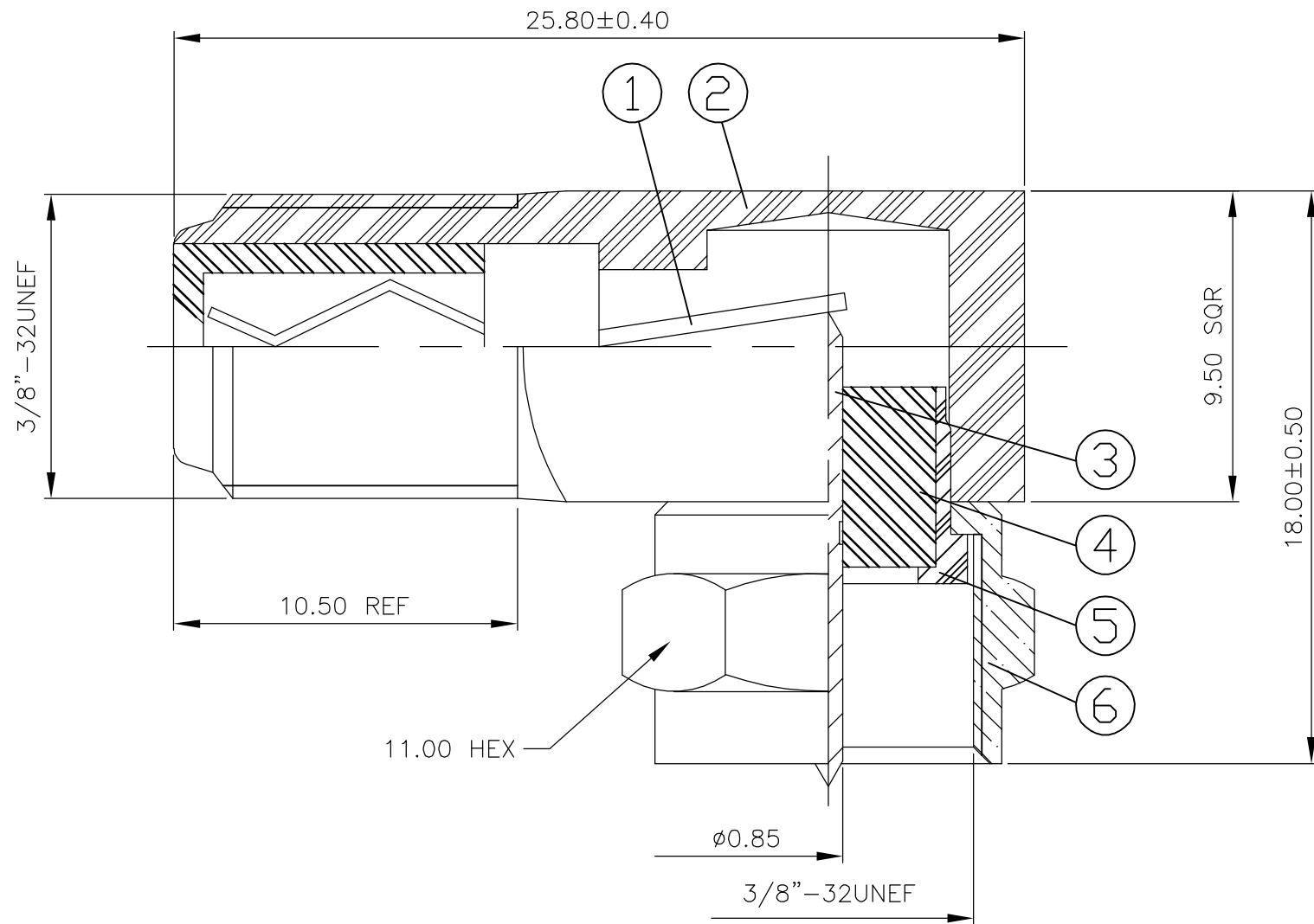


LOC	DIST	REVISIONS					
E	B	P	LTR	DESCRIPTION	DATE	DWN	APVD
		A		EBD0-0122-04	04MAR04	JMS	FWK

NOTES

- ① 100 TRAY PACK IN ACCORDANCE WITH AMP SPEC 107-3275
- ② SINGLE PACK IN ACCORDANCE WITH AMP SPEC 107-3275
- ③ 2.54µm Ni PLATING
- ④ 3.05µm TIN PLATING



						1	1	BRASS	③	NUT	6
						1	1	BRASS	③	RETAINER	5
						1	1	DELTRIN		INSULATOR	4
						1	1	BRASS	③	CONTACT	3
						1	1	BRASS	③	BODY	2
						1	1	PP+BRASS	④	CONTACT	1
						5--1	5--0	MATERIAL		DESCRIPTION	ITEM
						②	①				
						QUANTITY PER ASSY			PARTS LIST		

THIS DRAWING IS A CONTROLLED DOCUMENT.		DWN	J.SANDWELL	04MAR04	tyco Electronics		Tyco Electronics Corporation	
DIMENSIONS: MM		CHK	S.PARLOW	04MAR04			Bideford, UK, EX39 4HE	
TOLERANCES UNLESS OTHERWISE SPECIFIED:		APVD	F.WHEELER-KING	04MAR04	NAME		F SERIES CONNECTOR ELBOW ADAPTOR JACK - PLUG	
0 PLC ± -		PRODUCT SPEC		APPLICATION SPEC		RESTRICTED TO		
1 PLC ± -		WEIGHT		SIZE		CAGE CODE		
2 PLC ± -		-		A3		00779		
3 PLC ± -		-		DRAWING NO		C=1634537		
4 PLC ± -		-		SCALE		SHEET		
ANGLES ± -		-		NTS		1 OF 1		
FINISH		-		REV		A		
MATERIAL		-		CUSTOMER DRAWING				